


Edition/ actualisation date	Product Card		Page 1 from 2
2015-03-05 / 2015-03-05			
Name of the machine	Mower AGATKA PLUS		

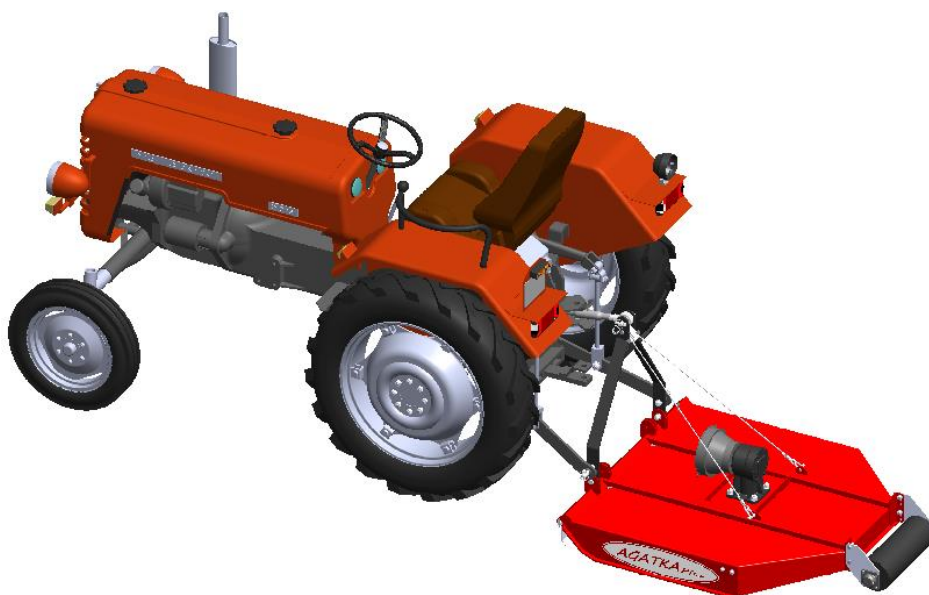
Purpose and structure

AGATKA PLUS orchard mower is designed for mowing with the possibility of simultaneous shredding grass and weeds in orchards, parks and gardens, plantations of berry bushes, etc.

It is characterized by its simple and robust construction and reliable operation.


Mower is mounted on three-point linkage (category 1 or 2, depending on the order).

The cutting height is regulated by the rear supporting shaft and the tractor's hydraulic lift, and the operation is possible with the mounting in the axis of symmetry of the tractor and with the asymmetric mounting.

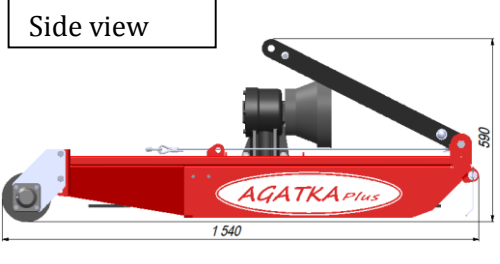
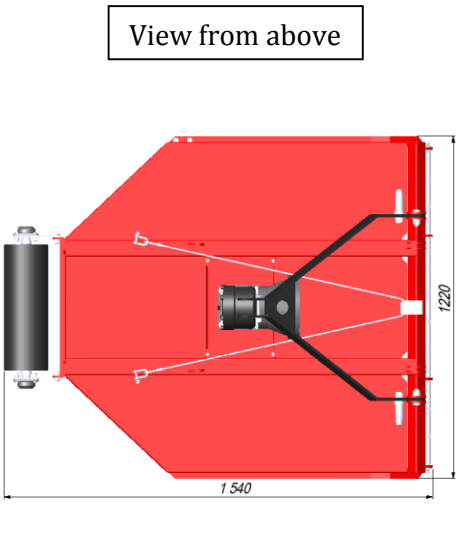
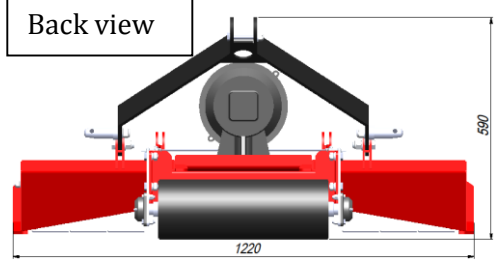


Technical specifications

Mounting method	Three-point linkage from the back. Category 1 or 2
Drive	From the tractor PTO by articulated telescopic shaft and angular gear
PTO rotation	540 turns / min
PTO	400 N / m
Slope mowing area	12 °
Working unit	The rotor with replaceable blades
Number of replaceable blades	4
Number of replaceable counter-blades	1
Power requirements	7 - 10 kW (9.52 - 13.6 KM)
Cutting width	1 150 mm
Cutting height	Min. 20 mm
Cutting height regulation	Manual by supporting wheel and the tractor's hydraulic lift
Working speed	4 - 12 km / h
Width	1 220 mm
Length	1 540 mm
Height	850 mm
Weight	120 kg

Edition/ actualisation date 2015-03-05 / 2015-03-05	Product Card		Page 2 from 2
Name of the machine	Mower AGATKA PLUS		

Dispatch data

Lenght	1 540 mm		
Width	1 220 mm		
Height	590 mm		