


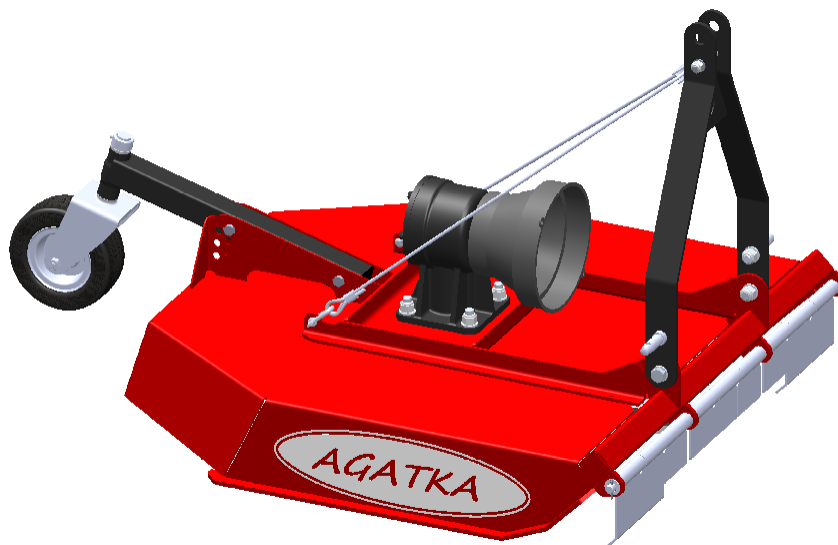
Edition/ actualisation date	<b>Product Card</b>		Page 1 from 2
2015-03-05 / 2015-03-05			
Name of the machine	<b>Mower AGATKA</b>		

## Purpose

AGATKA orchard mower is designed for mowing with the possibility of simultaneous shredding grass and weeds in orchards, parks and gardens, plantations of berry bushes, etc.


It is characterized by its simple and robust construction and reliable operation.

Mower is mounted on three-point linkage (category 1) and is powered by articulated telescopic shaft of the tractor PTO.

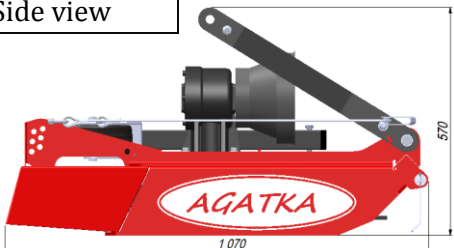
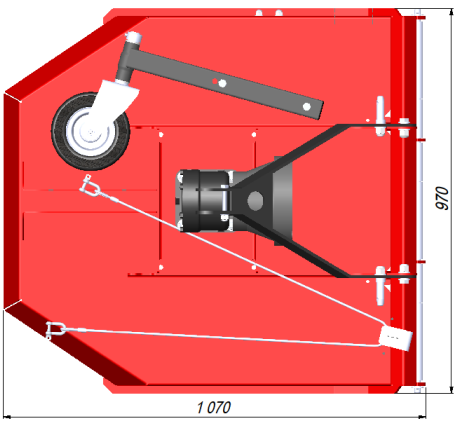
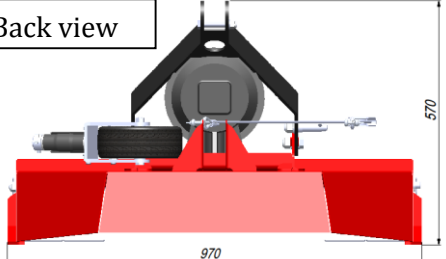


## Technical specifications

Mounting method	Three-point linkage from the back. Category 1
Drive	From the tractor PTO by articulated telescopic shaft and angular gear
PTO rotation	540 turns / min
PTO	400 N / m
Slope mowing area	12 °
Working unit	The rotor with replaceable blades
Number of replaceable blades	4
Number of replaceable counter-blades	1
Power requirements	5-7 / 6.8 - 9.52 kW / KM
Cutting width	900 mm
Cutting height	Min. 20 mm
Cutting height regulation	Manual by supporting wheel and the tractor's hydraulic lift
Working speed	4 - 12 km / h
Width	970 mm
Length	1 320 mm
Height	830 mm
Weight	110 kg

Edition/ actualisation date 2015-03-05 / 2015-03-05	<b>Product Card</b>		Page 2 from 2
Name of the machine	<b>Mower AGATKA</b>		

## Dispatch data

Length	1 070 mm	<div data-bbox="502 383 710 436" style="border: 1px solid black; padding: 2px;">Side view</div> 	<div data-bbox="1129 383 1396 436" style="border: 1px solid black; padding: 2px;">View from above</div> 
Width	970 mm	<div data-bbox="502 672 686 728" style="border: 1px solid black; padding: 2px;">Back view</div> 	
Height	570 mm		