


Edition/ actualisation date	<b>Product Card</b>		Page 1 from 3
2015-03-05 / 2015-03-05			
Name of the machine	<b>Harvester ARONIC</b>		

## Purpose

JAREK 5 harvester is produced in version to collect chokeberry and it's called ARONIC. It's equipped in one shaker with increased vibration energy and changed slide for shrubs. Because of the higher yield of chokeberry in relation to currant, chokeberry harvesting capacity is smaller and amounts 0.08 - 0.2 ha / h. A collection of chokeberry lasts longer and accuracy of collection depends mainly on the size of bushes and maintenance of the plantation. It is advised not to let the bushed grow too big, shrub optimal height is 1.0 - 1.8 m. The accuracy of the collection reaches 98% and the amount of impurities and damaged fruit does not exceed 1%.

JAREK 5 is characterized by high workmanship quality and simple modular design. This allows to adjust machine according to the customer needs and change of the configuration at a later date. The tractor with low operating speed is advised for the drive.

The drive workgroups are fully hydraulic. Tractor's PTO drives the harvester through the gearbox on the hydraulic pump.

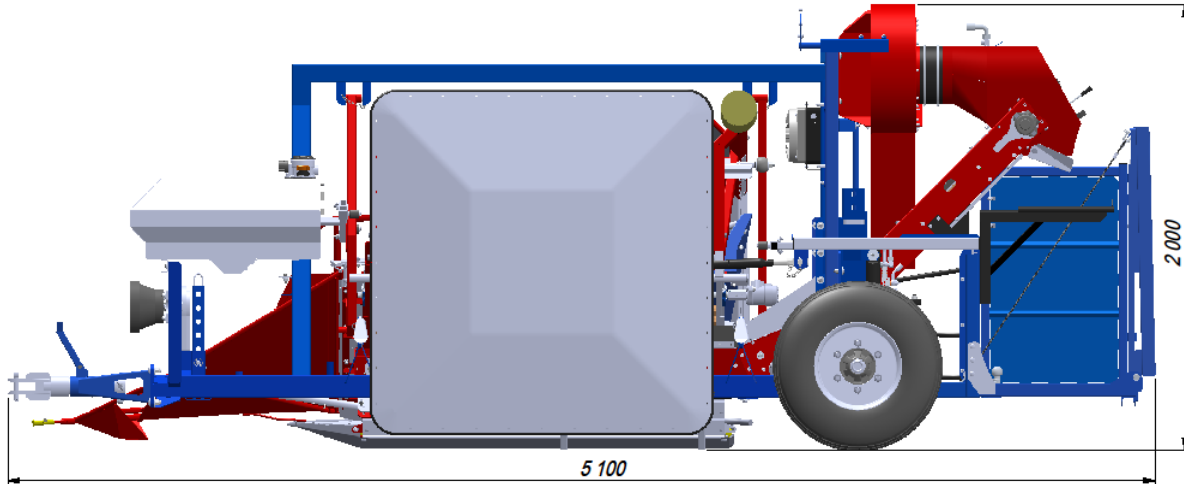
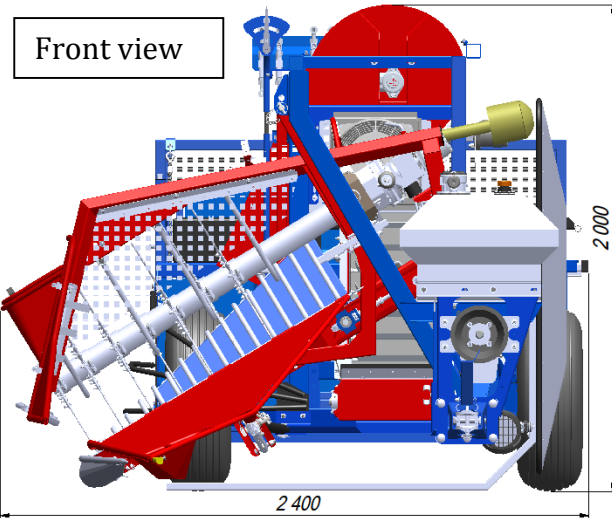
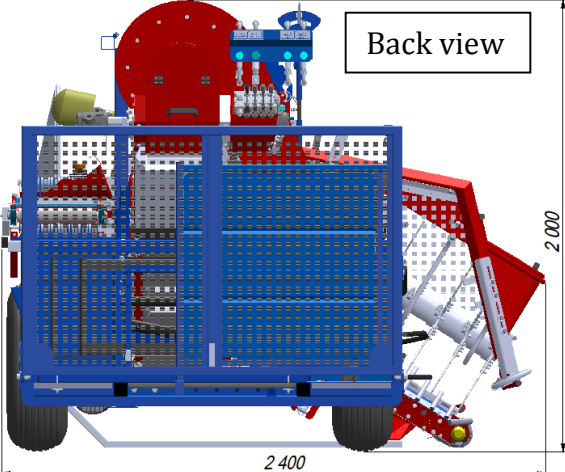
Possible configurations, methods of collection of fruit and the control ways are the same as in the standard JAREK 5.



## Technical specifications

Method of attaching		Hook to the tractor joist. Cat. 2	
Drive		External hydraulics of the tractor - control of harvester's operating assembly. Drive of workgroups - hydraulic pump through the transmission.	
Tractor power demand		Min. 22/30 Kw/KM	
Working speed		0,6 - 1,5 km/h	
Output		0,08 - 0,2 ha/h	
Width		2 400 mm	
Length		6 100 mm	
Height		2 500 mm (without roof = 2 000 mm)	
Weight		1 850 kg	
Operators		Tractor operator + 1	
Fruit collection	Boxes	400 * 600 * 200 mm	
	Box pallets (currants and choke berries)	1000 * 1200 * 790 mm	Assembly rolls on the platform with the attached self-unloading trolley (1 box pallet)
			Attached sel-unloading trolley (3 box pallets). Slide of fruits from additional horizontal conveyor. Back working platform dismantled.

## Dispatch data

Length	Side view	
5 100 mm		
Height		
2 000 mm		
Width	Front view	Back view
2 400 mm		
Height		
2 000 mm		

## Optional equipment and axis ride configuration:

Configuration name	Power of hydraulics	Control	
Hydraulic slide of joist	From tractor's hydraulics	From tractor's cabin	
Axis ride – stiff, steered wheels	From tractor's hydraulics	From tractor's cabin	
	From harvester's hydraulics	From tractor's back	From the left side From the right side
Axis ride – hydraulic lifting and lowering of the harvester's carrier; steered wheels	From tractor's hydraulic	From tractor's cabin	
	From harvester's hydraulics	From harvester's back	From the left side From the right side

## Additional options:

Edition/ <b>actualisation date</b>	<b>Product Card</b>		Page 3 from 3
2015-03-05 / 2015-03-05			
Name of the machine	<b>Harvester ARONIC</b>		

Control of hydraulic valves:

- manual
- electrical (solenoid)

Shaking elements ('fingers'):

- metal
- plastic