


Edition/ actualisation date	<b>Product Card</b>		Page 1 from 2
2015-03-05 / 2015-03-05			
Name of the machine	<b>Cutter FORMER</b>		

## Purpose

Currant bushes cutter FORMER is designed for trimming (forming) rows of bushes into a letter V. This prevents grow of the ends of the shoots and facilitates the mechanical harvesting. Shrubs cutting also favors increased yields especially in the second year after cutting.


FORMER greatly simplifies the most laborious stage of currant maintenance which is cutting bushes. Cutting of unnecessary shoots out of the middle of the bush must be performed manually.

FORMER is attached to the front of the tractor and driven by hydraulic oil from inside the tractor.

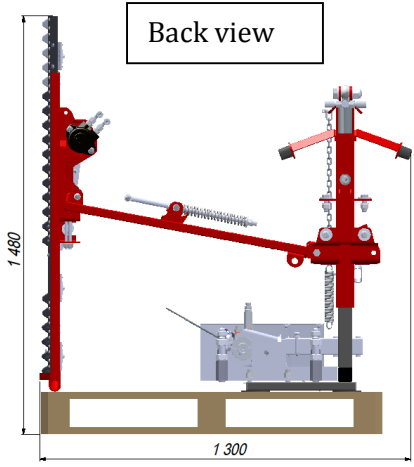
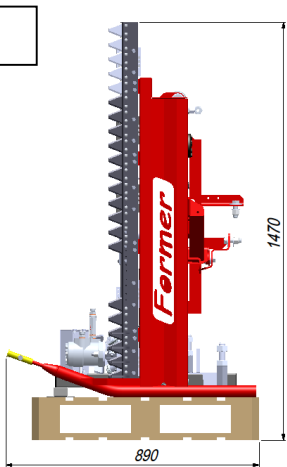


## Technical specifications

Mounting method	The bracket of the front pillar (with a common herbicide beam TEKLA). Category 2
The drive of the cutting unit	Tractor's hydraulic; drive - hydraulic engine
The working assembly diagonally adjustable	Hand-threaded screw
Working assemble set (working and transport)	The hydraulic cylinder controlled from the tractor's hydraulic
Drive scraper branch	Tractor's hydraulic; drive - hydraulic engine
Length	800 mm
Working width	1 800 mm
Transport width	1 250 mm
Working height	1 150 mm
Transport height	1 700 mm
Working speed	1 - 3 km/h
Transport speed	20 km/h
Length cutting strip	1 270 mm
Tractor's hydraulic pomp output	18 - 25 l/min
Weight	110 kg
Productivity	0.2 -0.5 ha/h

Edition/ actualisation date 2015-03-05 / 2015-03-05	<b>Product Card</b>		Page 2 from 2
Name of the machine	<b>Cutter FORMER</b>		

## Dispatch data

Length	1 300 mm	 <p style="text-align: center;">Back view</p>	 <p style="text-align: center;">Side view</p>
Width	890 mm		
Height	1 470 mm		