


Edition/ actualisation date	Product Card		Page 1 from 3
2015-03-05 / 2015-03-05			
Name of the machine	Harvester JAREK 5		

Purpose

The latest version of the half-row harvester JAREK 5 has been adapted to collect autumn raspberries without supports. Major structural changes are:

- Special shaking head and plastic shaking elements on a shaking column
- Pre-separator that removes minor impurities
- Additional separating conveyor that facilitates removal of damaged fruit

Harvester with the option of collecting raspberries is fitted with one shaker. Tractor with low operating speed should be used for the power drive. Harvester is characterized by high quality and simple modular design. It allows the completion of the machine according to customer needs and ability to change the configuration at a later date. The drive of workgroups is fully hydraulic.


Tractor's PTO drives harvester hydraulic pump through a gear. Harvester's design enables installation of one or two shakers. The accuracy of fruit harvesting depends on the size of shrubs and maintenance of the plantation.

Possible configurations, methods of collection and control of fruit are the same as the standard harvester JAREK 5.

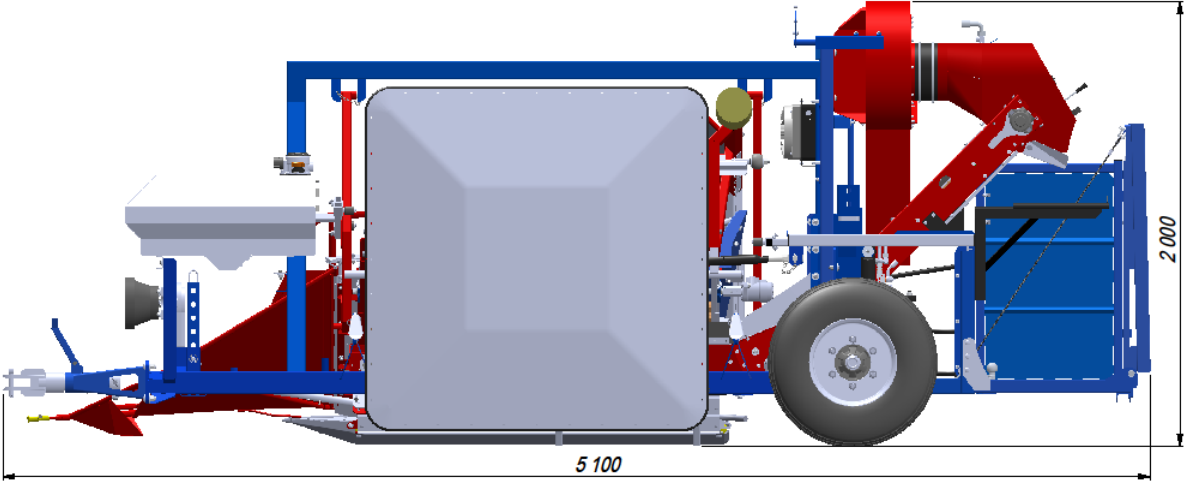
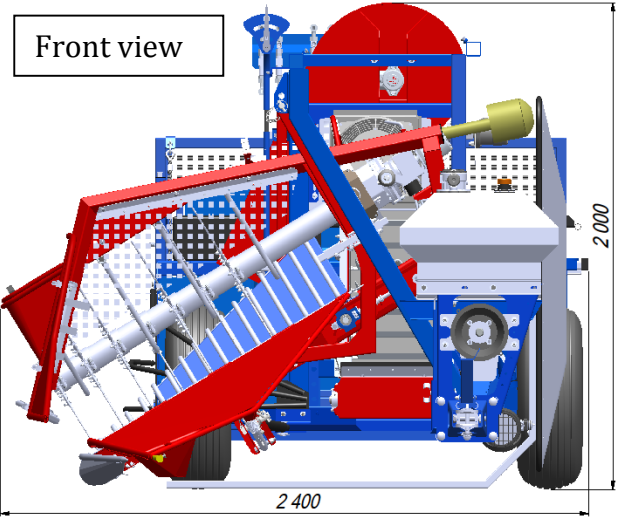
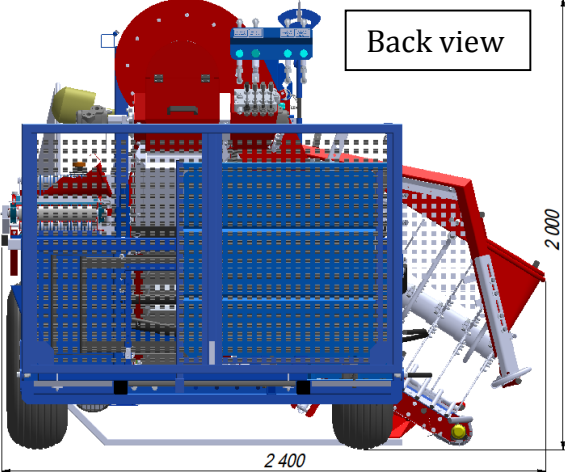


Technical specifications

Method of attaching		Hook to the tractor joist. Cat. 2	
Drive		External hydraulics of the tractor - control of harvester's operating assembly. Drive of workgroups - hydraulic pump through the transmission.	
Tractor power demand		Min. 22/30 Kw/KM	
Working speed		0,3 - 1 km/h	
Output		0,05 - 0,1 ha/h	
Width		2 400 mm	
Length		6 100 mm	
Height		2 500 mm (without roof = 2 000 mm)	
Weight		1 850 kg	
Operators		Tractor operator + 1	
Fruit collection	Boxes	400 * 600 * 200 mm	
	Box pallets (currants and choke berries)	1000 * 1200 * 790 mm	Assembly rolls on the platform with the attached self-unloading trolley (1 box pallet)
			Attached sel-unloading trolley (3 box pallets). Slide of fruits from additional horizontal conveyor. Back working platform dismantled.


Edition/ actualisation date	Product Card		Page 2 from 3
2015-03-05 / 2015-03-05			
Name of the machine	Harvester JAREK 5		

Dispatch data

Length	Side view	
5 100 mm		
Height		
2 000 mm		
Width	Front view	Back view
2 400 mm		
Height		
2 000 mm		

Optional equipment and axis ride configuration:

Configuration name	Power of hydraulics	Control	
Hydraulic slide of joist	From tractor's hydraulics	From tractor's cabin	
Axis ride – stiff, steered wheels	From tractor's hydraulics	From tractor's cabin	
	From harvester's hydraulics	From tractor's back	From the left side From the right side
Axis ride – hydraulic lifting and lowering of the harvester's carrier; steered wheels	From tractor's hydraulic	From tractor's cabin	
	From harvester's hydraulics	From harvester's back	From the left side From the right side

Edition/ actualisation date 2015-03-05 / 2015-03-05	Product Card		Page 3 from 3
Name of the machine	Harvester JAREK 5		

Additional options:

Control of hydraulic valves:

- manual
- electrical (solenoid)

Shaking elements ('fingers'):

- plastic