


Edition/ actualisation date	<b>Product Card</b>		Page 1 from 2
2014-10-07 / 2015-09-18			
Name of the machine	<b>Fruit shaker PESTKA</b>		

## Purpose

Fruit shaker PESTKA is designed to harvest cherries, plums, industrial apples, etc. PESTKA is aggregated with agricultural tractor equipped with three-point linkage and external hydraulic system with a pump capacity min 18 lts/minute. Shaker job is to capture the tree trunk by paw grip and vibrate it. Fruits fall on the screens that are spread under a tree (screens are not included in the standard equipment of PESTKA) and then we pour them into boxes. The leaves should be removed by any kind of a blower.

The effectiveness of shaking off can be adjusted by simply changing the mass


of the rotating components of shaking head. The length of the boom, on which hangs the shaker, is adjustable from 1200 to 2000 mm, makes it easier to work in the orchards of different row spacing.

Thanks to the boom turn of 30° to the right and to the left, you can simultaneously harvest from both row sides. In this option 2 sets of screens and an additional 2 people to support them are necessary.

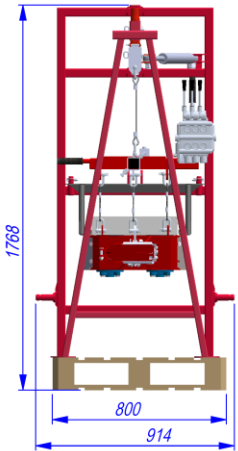
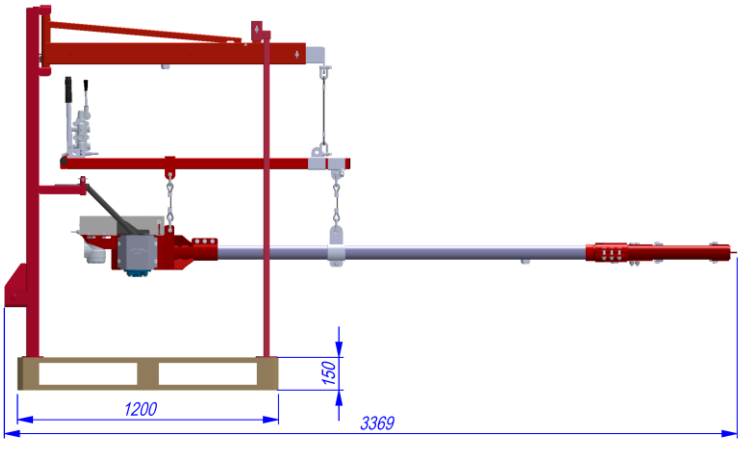


## Technical specifications

Method of attaching	Three point linkage system. Category 2
Drive	Tractor's hydraulics (oil demand min.18 l / min); Drive working unit - hydraulic motor
Working unit	Rotating shaker
Regulated clamping force trunk	Hydraulic by overflow valve
Trunk diameter	Up to 200 mm
Width	900 mm
Length	3250 mm
Height	1620 mm
Weight	220 kg
Number of operators	4-6

Edition/ actualisation date	<b>Product Card</b>		Page
2014-10-07 / 2015-09-18			2 from 2
Name of the machine	<b>Fruit shaker PESTKA</b>		

## Shipment data

Length	3369 mm	Front view	Back view
Width	914 mm		
Height	1768 mm		