


Edition/ actualisation date	<b>Product Card</b>		Page 1 from 1
2014-09-04			
Name of the machine	<b>Root grubber KRET</b>		

## Purpose

Root grubber is designed for shredding bushes after cutting the aboveground part. Using a grubber helps faster and better prepare the field for new plantings.

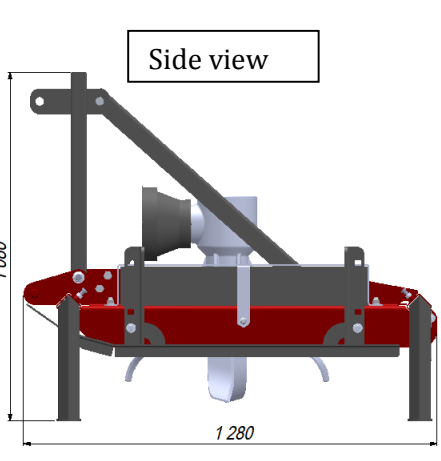
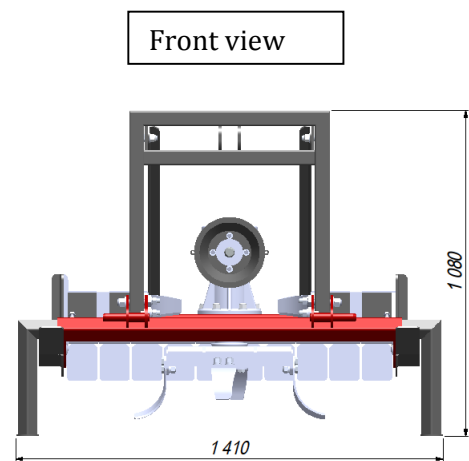
Grubber KRET is characterized by simple construction and reliable operation. The effect of grinding largely depends on the soil type and the size of the snag. Working element is a rotor with vertical axis with four attached blades. During operation, it may be necessary to weight on the grubber from balance, for example by foundation blocks [38cm x 24cm x 12cm].



## Technical specifications

Mounting method	Three-point linkage from the back. Category 2
Drive	From the tractor's PTO by articulated telescopic shaft and angular gear
Cooperating tractor	45/60 kW/KM
Cutting rotator width	650 mm
Cutting rotator depth	180 mm
Working speed	1 - 3,5 km/h
Transport speed	Max 20 km/h
Capacity	0,25 - 0,8 ha/h
Width	1 410 mm
Length	1 280 mm
Height	1 080 mm
Weight	250 kg
Weight with 4 weights	350 kg

## Shipment data

Length	1 280 mm		
Width	1 410 mm		
Height	1 080 mm		