


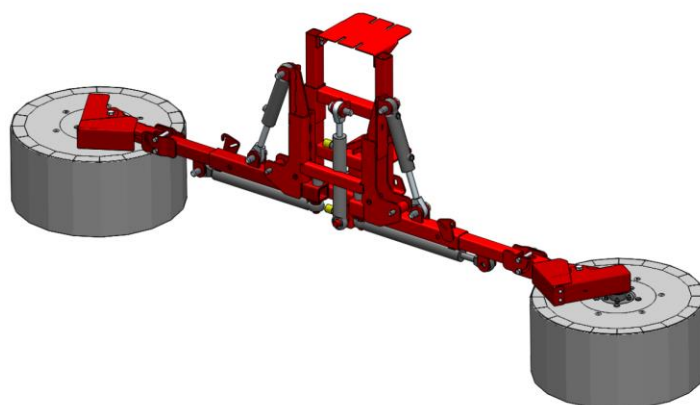
Edition/ actualisation date	<b>Product Card</b>		Page 1 from 2
2015-10-08 / 2015-10-08			
Name of the machine	<b>Herbicide beam for blueberry TOLA</b>		

## Purpose

TOLA herbicide orchard beam is designed to control weeds under the crowns of blueberry bushes and other shrubs and trees in the orchard crops. After installing special adapter it is possible to spray between the rows.

The beam is mounted in front of the tractor. The hydraulic system allows to eject working part (left / right side independently) depending on the width of rows and its tilting, lifting and lowering.

TOLA beam structure allows spraying of two modules at once or module right or left, depending on the needs. Spray module, encountering resistance of shrub or tree, leans that allows to make the spray very close to the bush. Location of module can be changed at different angles with respect to the bush. The special design of the modules protects the ballast from the bark of blueberries crops and protects against spraying the green parts.

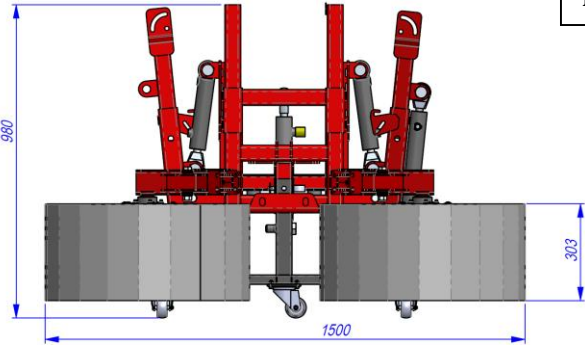
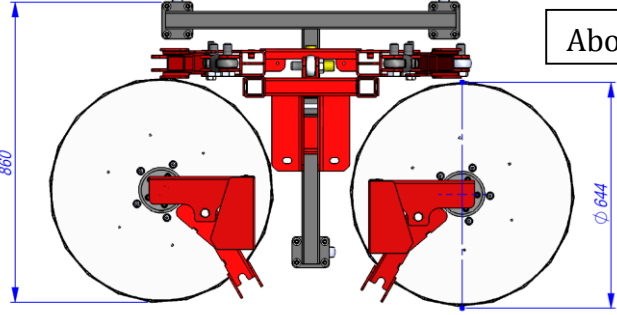


## Technical specifications

Attaching to the tractor	Bracket for the appropriate tractor
Length (without bracket)	634 mm
Min working width	2 x 1 490 mm (2 980 mm)
Max working width	2 x 1 810 mm (3 620 mm)
Injecting / lifting / leaning working part	hydraulic
Max working height	1 026 mm
Spray width	634 mm
Spray pressure	2 - 4 bar
Lifting the working part	hydraulic
Scope of lifting the working part	200 mm
Weight	135 kg
Working speed	do 10 km/h
Working capacity	1 - 2 ha/h

Edition/ actualisation date 2015-10-08 / 2015-10-08	<b>Product Card</b>		Page 2 from 2
Name of the machine	<b>Herbicide beam for blueberry TOLA</b>		

## Shipment data

Length	860 mm	 <p style="text-align: right; border: 1px solid black; padding: 2px;">Front view</p>
Width	1500 mm	
Height	980 mm	 <p style="text-align: right; border: 1px solid black; padding: 2px;">Above view</p>