


Edition/ actualisation date	Product Card		Page 1 from 3
2015-03-05 / 2015-03-05			
Name of the machine	Weeder ZUZA 3		

Purpose

ZUZA 3 machine is designed for mechanical weed control in crops growing in rows, at a spacing to allow passage of a tractor on a cultivated lane. The machine is perfect for organic farming, can significantly reduce or even eliminate the use of herbicides in the orchard. This reduces the cost of maintenance and facilitates keeping these crops.

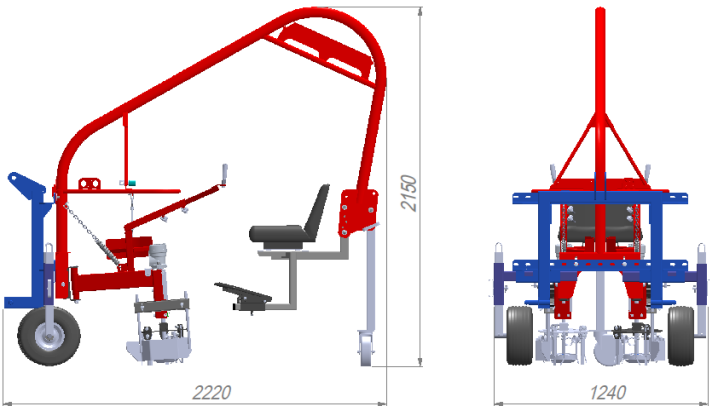
Use examples: young currants, strawberries and other plants up to a height of approx. 0.5 m. (limits the tractor clearance).




Technical specifications

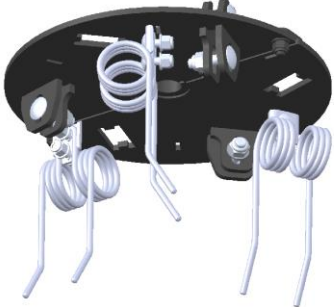
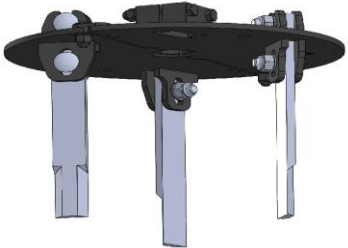
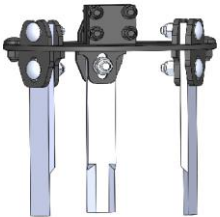

Attaching method	Three-point linkage system. Category 2
Drive	Tractor's hydraulics (oil demand 25 l/min). Drive working unit - hydraulic motors
Working unit	2 shakers (by choice)
Weeding width of each side of the row	300 mm
Weeding depth	10-40 mm
Working speed	1 - 3 km/h
Number of operators	2
Length	2 200 mm
Height	2 150 mm
Weight	250 kg

Shipment data

Length	2 200 mm	
Width	1 240 mm	
Height	2 150 mm	

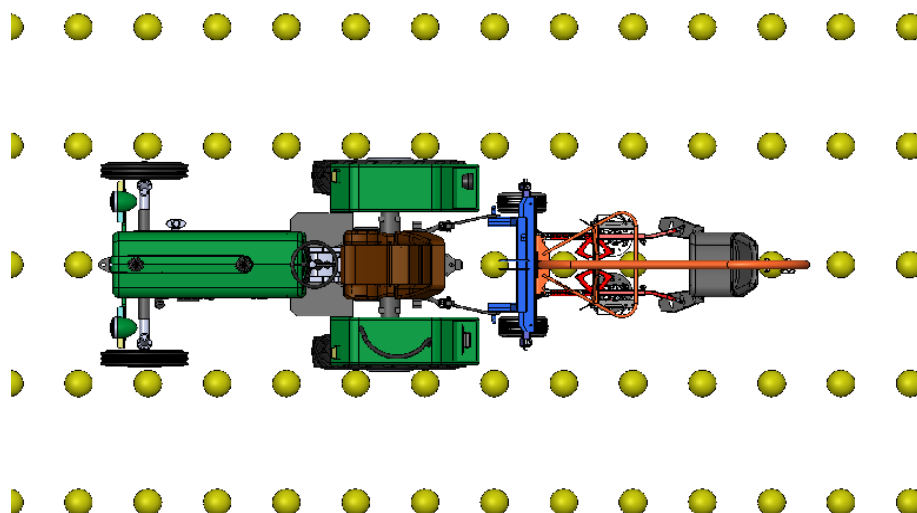
Edition/ actualisation date 2015-03-05 / 2015-03-05	Product Card		Page 2 from 3
Name of the machine	Weeder ZUZA 3		

Working heads versions

<p>Standard head, diameter 300 mm</p> 	<p>Head with daggers (knives), diameter 300 mm</p> 
<p>Small head, daggers/claws diameter 225 mm</p> 	<p>Standard head with thick claw, diameter 300 mm</p> 

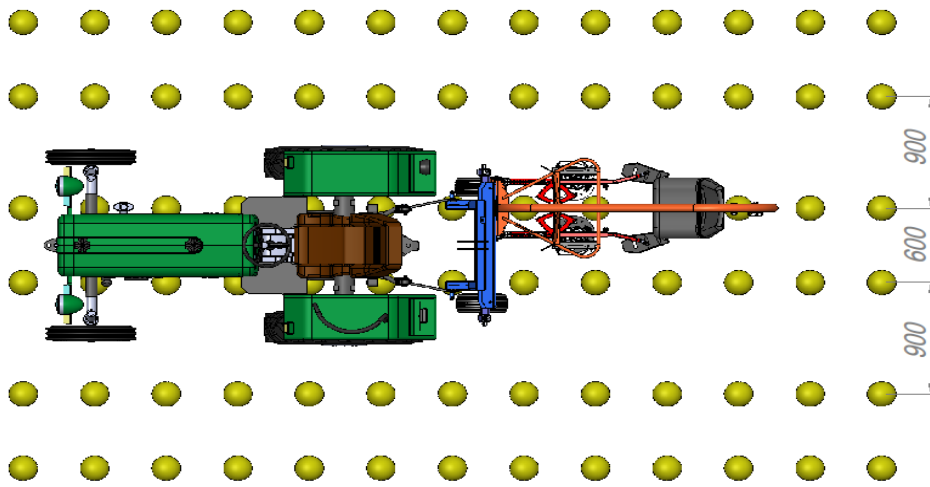
Examples of ZUZA 3 configurations

ZUZA 3 single - Set in the row axis

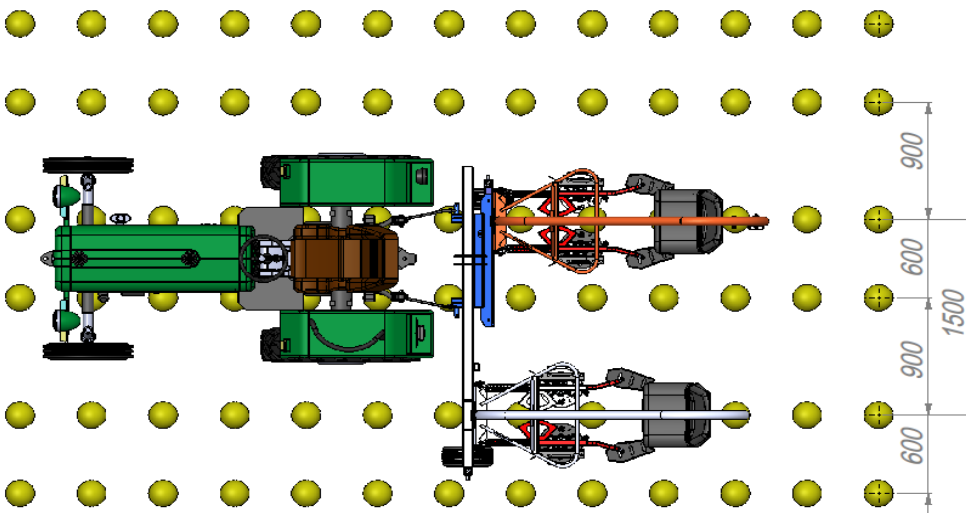


Edition/ actualisation date 2015-03-05 / 2015-03-05	Product Card		Page 3 from 3
Name of the machine	Weeder ZUZA 3		

Moved (possibility of moving to the left, or right about 40 cm. when the tractor drives over two rows)



ZUZA 3 double



ZUZA 3 triple

