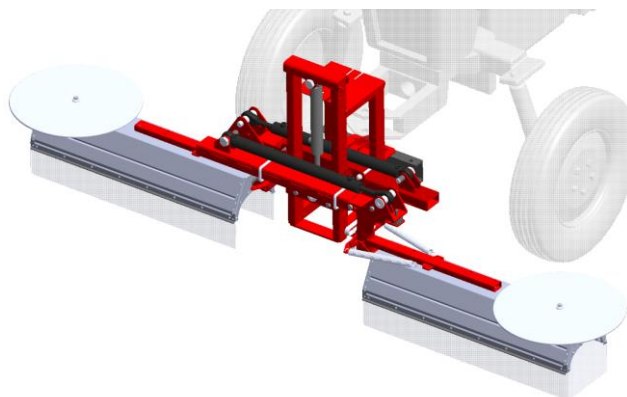


Edition/ actualisation date	<b>Product Card</b>		Page 1 from 2
2014-11-17 / 2016-09-01			
Name of the machine	<b>Herbicide beam for orchard TELMA</b>		

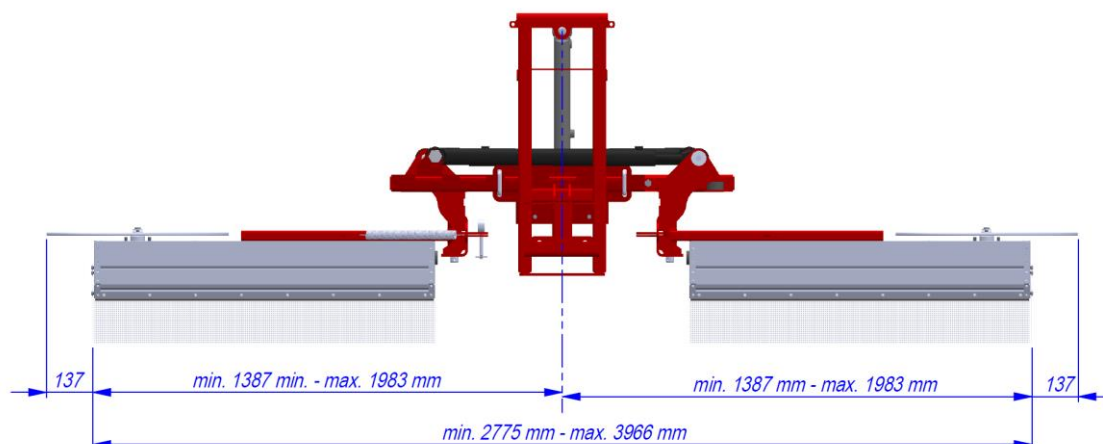
## Purpose

TELMA herbicide orchard beam is designed to control the weed under the canopy of fruit crops. Beam can also fight weeds under bushes in the plantations of berry shrubs. The beam is mounted in front of the tractor. The hydraulic system allows to eject working parts (left or right independently) depending on the width of rows and the lifting and lowering. Beam structure enables spraying two modules at once, or module right or left depending on needs. Lifting the TELMA beam in transport position is also hydraulic. The working part of the beam is mounted pivotally to the part of the carrier. Rotating wheel encountering the resistance of the trunk, pulls the working part what allows spraying alongside the trunk of the tree and protects the beam against damage. Three high-quality sprayers (symmetrical and asymmetrical) are mounted under the cover of stainless steel. The front and back cover is extended by flexible, transparent apron that reaches the ground as the anti-drift spray on windy days. After removing the front cover part, it is possible to significantly increase the width of the spray.



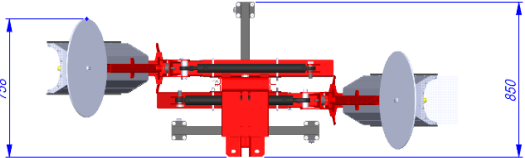
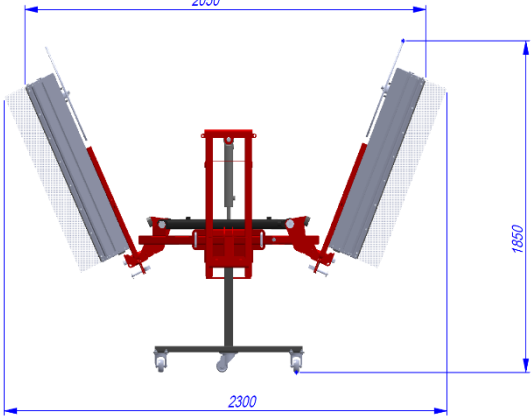
## Technical specifications

Max working width	3 966 mm
Min working width	2 775 mm
Length (without bracket)	760 mm
Injecting working part	hydraulic
Max working height	975 mm
Spray width	1 000 mm (2 000 after removing external shields)
Spray pressure	2 - 4 bar
Lifting the working part	hydraulic
Scope of lifting / lowering the working part	200 mm
Weight	135 kg
Working speed	up to 10 km/h
Working capacity	1 - 2 ha/h
Attaching to the tractor	Bracket for the appropriate tractor



Edition/ actualisation date 2014-11-17 / 2016-09-01	<b>Product Card</b>		Page 2 from 2
Name of the machine	<b>Herbicide beam for orchard TELMA</b>		

## Shipment data

Length	850 mm	<div data-bbox="400 434 608 495" style="border: 1px solid black; padding: 2px; display: inline-block;">Above view</div>  	<div data-bbox="943 421 1123 472" style="border: 1px solid black; padding: 2px; display: inline-block;">Front view</div>  
Width	2 300 mm		
Height	1 850 mm		