


Data wydania 2014-10-08 / 2015-09-18	Karta produktu		Strona 1 z 2
Nazwa maszyny			GACEK - urządzenie zbierające wiśnie, śliwki

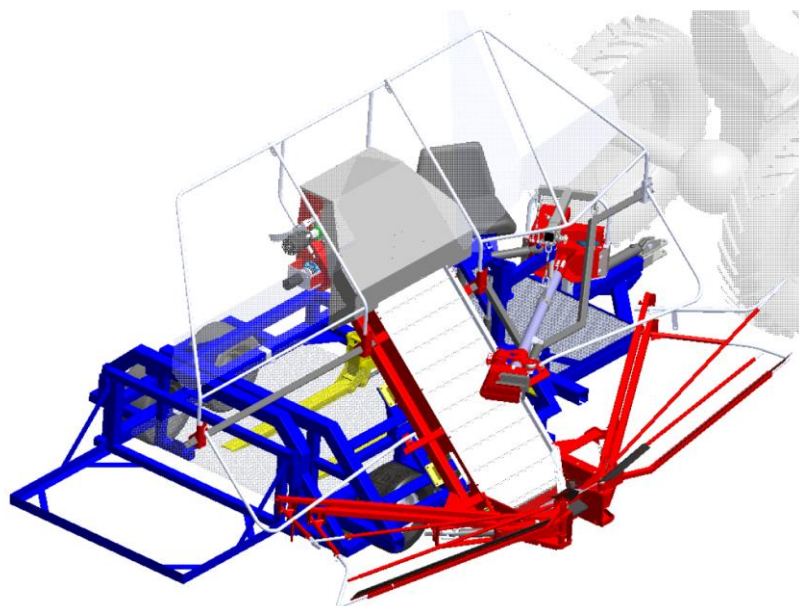
Purpose

GACEK machine is designed to harvest not only cherries but also other stone fruits, like for example plums. The fruits are being strewn from the tree then, all impurities like leaves or small branches are removed by a fan and the fruits are being dumped into coxes or box pallets.

GACEK machine is recommended for family farms for cherry orchard area of up to 5 ha. In optimal conditions, you can collect the fruits from 50-60 trees / hour. For the drive of the machine farm tractor equipped with a hydraulic pump with a capacity of min. 25 l / min should be used. In order to operate GACEK two or three people are needed: one for tractor and 1-2 for handling the machine.

The machine is designed to harvest fruit into pallet boxes 1200x1000x760 mm. After mounting the bars, the platform for boxes and pallet's platform, it's possible to collect to boxes 600x400x150 mm.


In order to achieve the best work effects, proper preparation of the orchard is extremely important. It is a basic condition for a good operation of GACEK fruit harvest. The recommended distance between rows is minimum 4 m, spacing trees in a row is between 2.2 to 2.5 m. Very important is also the trunk height - at least 0.7 m. Branches with cherries should not sag too low and a maximum trunk diameter is 220 mm (maximum spacing of the shakers jaw). Trees should be maintained much higher than in case of an orchard designed for manual harvesting. The maximum diameter of the crown of the tree is limited by the size open umbrella and can reach up to 3.5 m, with a larger tree crown, fruits will fall outside the umbrella. Under a tree, a space to open the umbrella and to capture the trunk by the shakers jaw is required.



GACEK machine produced by our company is reported to the Polish Patent Office (Patent No. P-386556).

Plantation requirements

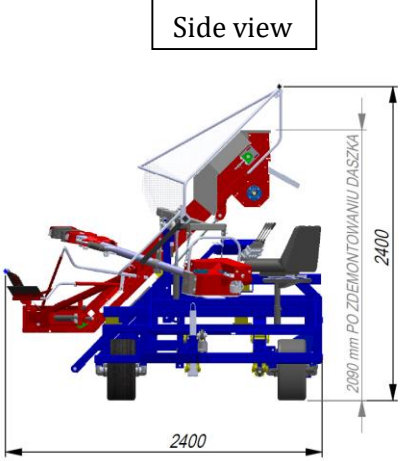
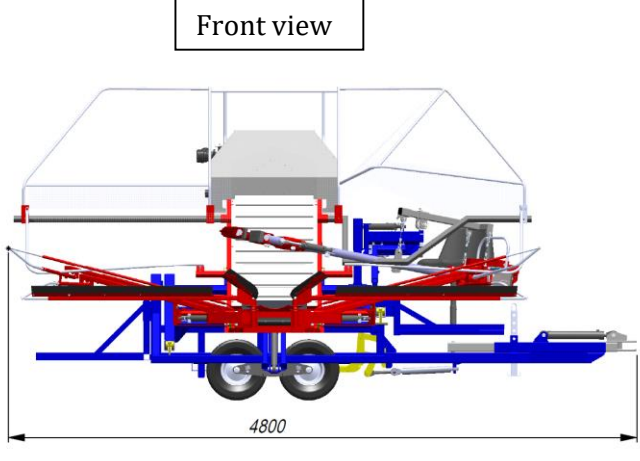
Spacing of trees	min 4 m
Spacing of trees in a row	min 2,2 m
Max diameter of the crown	around 3,5 m
Max the diameter of the trunk	Up to 150 mm
Height of free trunk	0,7 m

Data wydania 2014-10-08 / 2015-09-18	Karta produktu		Strona 2 z 2
Nazwa maszyny			GACEK - urządzenie zbierające wiśnie, śliwki

Technical specifications

Method of attaching	Hook to the tractor joist. Category 2
Drive	Tractor's hydraulics
Transport length	4800 mm
Max working length	5200 mm
Total transport width	2400 mm
Wheelbase in the transport position	1530 mm
Wheelbase in the working position	1905 mm
Max working width	3700 mm
Height	2400 mm
Weight	900 kg
Scope of paws grip	50 - 200 mm
Required hydraulic pump consumption	min 25 l / min
Harvest accuracy	around 95 %
Number of operators (collection to pallet-boxes)	2
Number of operators (collection to boxes 400x600x150mm)	3
Capacity	around 0,5 ha / 8-10h

Dispatch data

Length	<div style="display: flex; justify-content: space-around;"> <div style="text-align: center;"> <p>Side view</p>  </div> <div style="text-align: center;"> <p>Front view</p>  </div> </div>
4800 mm	
Width	
2400 mm	
Height	
2400 mm (2090 mm)	